

ITCB NEXT GENERATION TEA BREWER

Height: 34.2" Width: 12.8" Depth: 30.5"
(86.9cm) (32.5cm) (77.5cm)



- Four preset button selections
1. Sweet Tea 2. Confirm New Bib 3. Unsweet Tea 4. Iced Coffee
- Brew Iced Tea and Iced Coffee with "One Push of a Button"
- Utilizes High Intensity Mixing to consistently deliver sweetener during brew cycle
- Brew lock out feature ensures perfect water temperature for every brew
- 208 volt wiring provides rapid tank recovery
- Brew counter keeps track of how many batches brewed
- Digital temperature control
- Display machine status
- English and Spanish alphanumeric display
- Set includes dispenser booster for brewing directly into tea dispensers
- Two year parts and labor warranty
- Splash guard funnel deflects hot liquids away from the hand
- New mechanical funnel lock

Dispensers sold separately

Agency:



Specifications

Product #: 35700.0463

Funnel: Translucent Tea Funnel

Water Access: Plumbed

Finish: Stainless

Funnel: Black Plastic Iced Coffee

Additional Features

Smart Funnel Compatible

Electrical & Capacity

Volts*	Amps	Watts	Cord Attached	Plug Type	8oz cups/hr 236ml cups/hr	Input H ₂ O Temp.	Phase	# Wires plus Ground	Hertz
208*	13	2650	Yes	N/A	136	60°F (15.5°C)	1	3	60

ITCB 35700.0463 includes the 50845.0001 TDO-N booster set.

ITCB SET 35700.0062 includes the 35700.0463 (with TDO-N booster set), plus the 51870.0000 installation kit. Dispensers not included.

*Power Cord: 12/4, NEMA L14-20P plug, 20 amp

Electrical: Requires 3 wires plus ground service rated 208V (*2 hots, neutral and ground required), single phase, 60Hz. An internal terminal block is configured for connection to a 3-wire plus ground.

Plumbing Requirements

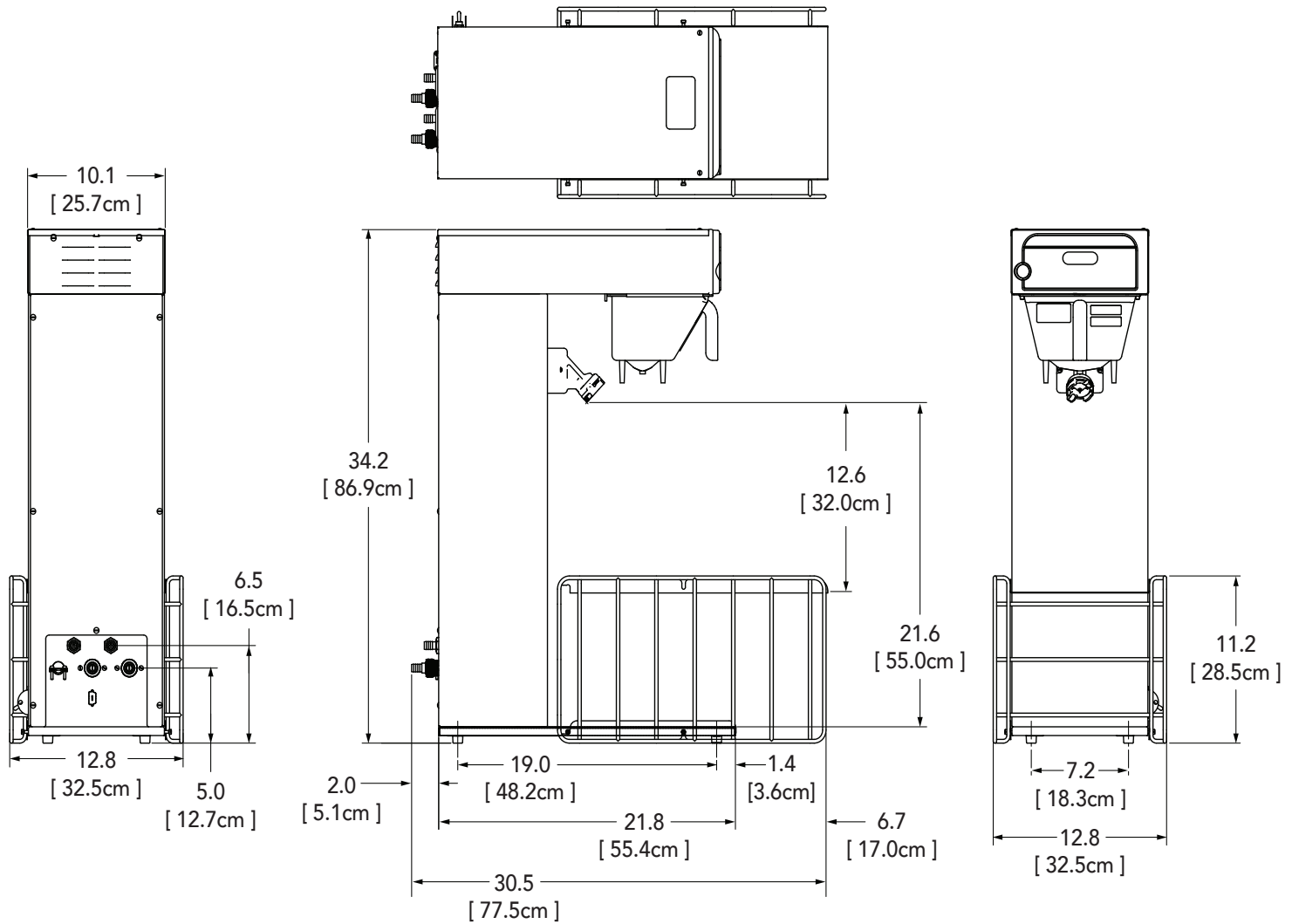
PSI	kPa	Fitting Supplied	Water Flow Required (GPM)
20-90	138-621	Quick Connect	-

CAD Drawings

2D	Revit	KLC
●		



BUNN® reserves the right to change specifications and product design without notice. Such revisions do not entitle the buyer to corresponding changes, improvements, additions or replacements for previously purchased equipment. For most current specifications and other info visit bunn.com.



	Unit			Shipping				
	Height	Width	Depth	Height	Width	Depth	Weight	Volume
English	34.2 in.	12.8	30.5 in.	38 in.	14.4 in	35.5in	52 lbs	-
Metric	86.9 cm	32.5	77.5 cm	88.9 cm	34.5 cm	82.5 cm	23.59 kgs	-



BUNN® reserves the right to change specifications and product design without notice. Such revisions do not entitle the buyer to corresponding changes, improvements, additions or replacements for previously purchased equipment. For most current specifications and other info visit bunn.com.

Related Products & Accessories:ITCB (35700.0463)



**TDO-N
4 GALLON TEA DISPENSER**

Product #: 39600.0084




**TDO-N LP
4 GALLON TEA DISPENSER**

Product #: 39600.0085



**TDO-N
REPLACEMENT LID**

Product #: 39624.0000



LID RETAINER CLIPS

Product #: 46248.0000



RAPAK FAUCET

Product #: 47326.0000



SPRAYHEAD

Product #: 40670.0005



DISPENSER BOOSTER

Product #: 50845.0001



**SPRAYHEAD CLEANING
TOOL**

Product #: 38227.0000



**POUCHPACK TEA FUNNEL
FOR SATELLITE BLACK**

Product #: 35282.0002




ICED COFFEE FUNNEL

Product #: 53463.0025




**MCDONALD'S ITCB
4-BUTTON DECAL**

Product #: 36367.0056



**MCDONALD'S ITCB
TOP DECAL**

Product #: 36368.0016



SWEETENER KIT

Product #: 51870.0000



QR CODE DECAL

Product #: 48332.0007